



HDI Introduction	
HDI 30 Years of Service	1
HDI Applications	2
HDI Products	
<u>6" Pressure Gauges (Panel Mount Style)</u>	
Models 1000B and 2000B Pressure Gauge	4
<u>6" Pressure Gauges (All-in-One Style)</u>	
Models 1000P and 2000P Pressure Gauge	6
<u>4-20mA Transmitters</u>	
Models 1021 and 2021 Pressure Transmitters	8
<u>Pump Stroke Counters</u>	
Models 1100 and 2100 Counter	10
<u>Choke Position Indicators</u>	
Models 1522 and 2522 Choke Position Indicator	11
Model 2200 Choke Position Indicator	13
<u>6" Temperature Gauge (Panel Mount Style)</u>	
Model 3300 Temperature Gauge	14
<u>Mud Gas Separator Monitoring</u>	
Model 3200 Mud Gas Differential Monitoring System	16
<u>Choke Control Console</u>	
Model 9000 Choke Console	17
Product Diagrams	18
HDI Service and Support	
Service Plan Information	21
Authorized Sales and Service Agents – USA and International	24
Contact Information – HDI USA Headquarters	26



30 YEARS OF SERVICE



Near the turn of the 90's, Houston Digital Instruments, LLC (HDI) was encouraged by leading oil and gas operators to develop an alternative to hydraulic pressure gauges. By 1991, HDI had produced and successfully field tested the HDI 2000, a battery powered, digital 6" Panel Gauge. Its successor, the HDI 2000B, is used extensively worldwide on critical flow choke and kill systems.

Soon after, our clients approached HDI about a standalone gauge to satisfy their control monitoring requirements for mud pumps and standpipe wells. We listened to our customers and discussions generated designs that included solutions for cementing, fracking, and other production techniques.

The HDI line now includes Pressure Gauges, Pressure Transmitters, Pump Stroke Counters, Choke Position Indicators, and complete Control Panels for onshore and offshore applications.

Safety is critical to our industry's success, and HDI's products are recognized by numerous client HSE Departments as a safer alternative to a hydraulic environment. By replacing high pressure lines and hoses with our instrumentation and electrical cable, the risk of ruptures, spills, downtime, and injuries is lowered, saving our customers time and money.



Over the past 30 years, HDI has continually improved & expanded our suite of products. We are proud to deliver instrumentation that offers safer and effective surface monitoring solutions to oil and gas field operators.

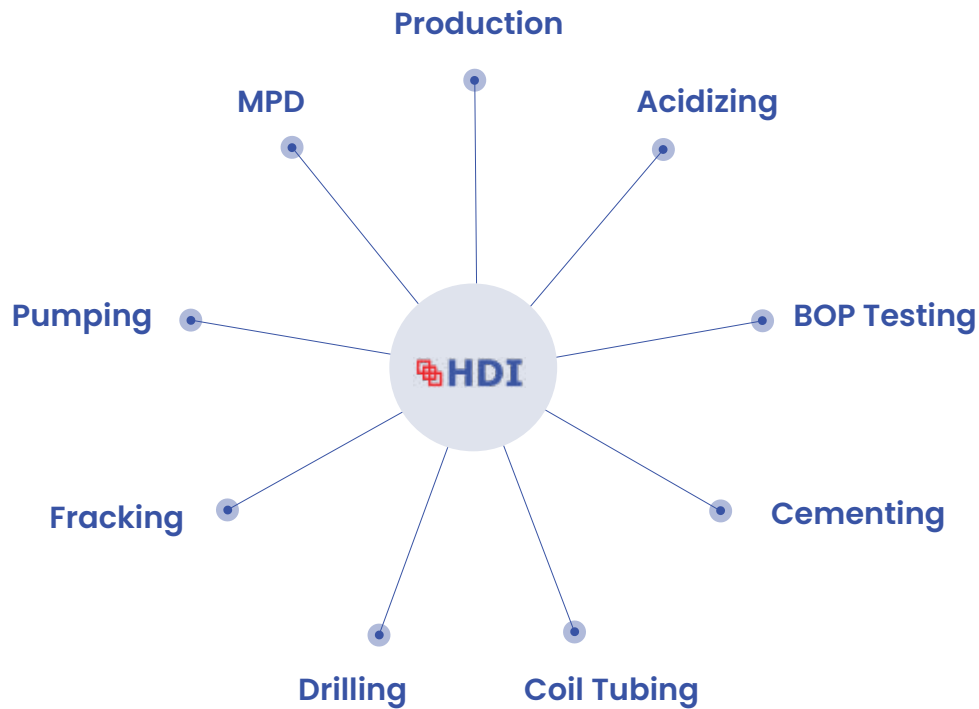
Houston Digital Instruments, LLC

7240 Brittmoore Road | Suite #119 | Houston, Texas 77041

Main: +1 (713) 688-8555 | Fax: +1 (713) 688-2228

ISO 9001:2015 Certified | ISNetworld No. 400-235772 | Ariba Network ID AN01451371212





HDI has proudly supported leading industry partners for 30 years in both domestic and international applications.



ISO 9001:2015 Certified | ISNetworld No. 400-235772 | Ariba Network ID AN01451371212



PRODUCTS



Models 1000B and 2000B Pressure Gauge Systems

Specifications

- Pressure Range: Up to 30K
- Battery Powered Instrumentation



SENSOR CONNECTION OPTIONS



2" 1502 Hammer Union
2" 1502 H2S Hammer Union



1" NPT



2" 2202 H2S Hammer Union



9/16" Autoclave Sensor
COMPATIBLE WITH HDI
AUTOCLAVE FLANGES ONLY

AUTOCLAVE FLANGES (MUST SELECT 9 / 16" AUTOCLAVE SENSOR)



Specify Pressure Rating and Size

Pressure Rating: 5M – 10M – 15M
Size 1 13/16" – 2 1/16"

CROSS OVER FLANGES / WYE ADAPTERS



Cross Over Flange

Wye Adapter

For Cross Over Flange: Specify Pressure Rating, Size, and Connection Type
For Wye Adapter: 1502 only



CONFIGURATION OPTIONS

- Stand Alone
- 4-20 mA Output
- Slave Output

ALARM KICKOUT

- Call for Availability

CABLE

Cable is purchased in 5' increments.

- Inline Cable: Distance from Pressure Transducer (Sensor) to Gauge Display
- 4-20mA Output Cable: Distance from Gauge Display to Local J-Box Termination
- Alarm Cable: Distance from Gauge Display to Local J-Box Termination

CERTIFICATIONS

Model 1000B

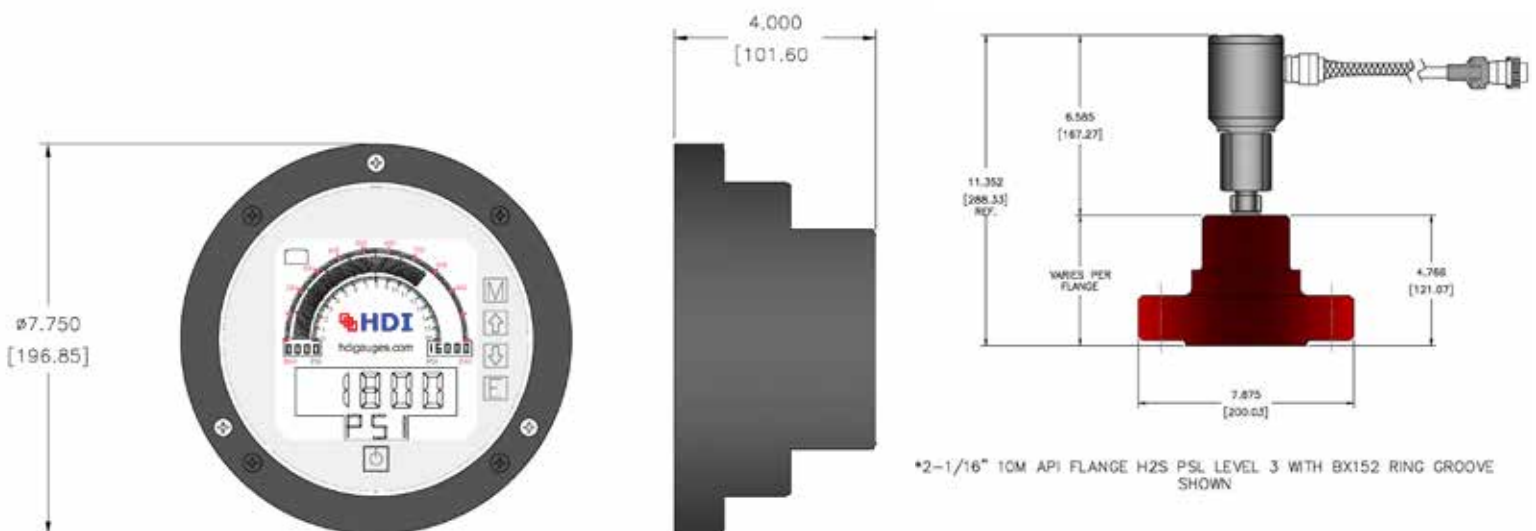
- Certificate of Compliance and Calibration Certificate

Model 2000B

- CSA: Intrinsically Safe Class 1, Division 1, Groups A, B, C, and D
- ATEX
- IECEx: optional, II 1 G, Ex ia IIC T4
- Certificate of Compliance and Calibration Certificate



DIMENSIONS



Models 1000P and 2000P Pressure Gauge Systems

Specifications

- Pressure Range: Up to 30K
- Battery Powered Instrumentation



SENSOR CONNECTION OPTIONS



2" 1502 Hammer Union
2" 1502 H2S Hammer Union



Flange Sensor Specify
Pressure Rating & Size

Pressure Rating: 5M 10M 15M Size: 1 13/16" - 2 1/16"



2" 2202 H2S Hammer Union

CROSS OVER FLANGES / WYE ADAPTERS



Cross Over Flange

Wye Adapter

For Cross Over Flange: Specify Pressure Rating, Size, and Connection Type

For Wye Adapter: 1502 only



CONFIGURATION OPTIONS

- Stand Alone
- Slave Output
- 4-20mA Output
- Backlight (1000P only)

SLAVE GAUGE

- Slave Gauge
- Slave Gauge with 4-20mA Output
- Slave Gauge with Slave Output

CABLE

Cable is purchased in 5' increments.

- 4-20mA Output Cable: Distance from Gauge Display to Local J-Box Terminal
- Backlight Cable: Distance from Gauge Display to Local J-Box Termination (1000P only)
- Slave Cable: Distance from Master Gauge Display to Slave Gauge Display

CERTIFICATIONS

Model 1000P

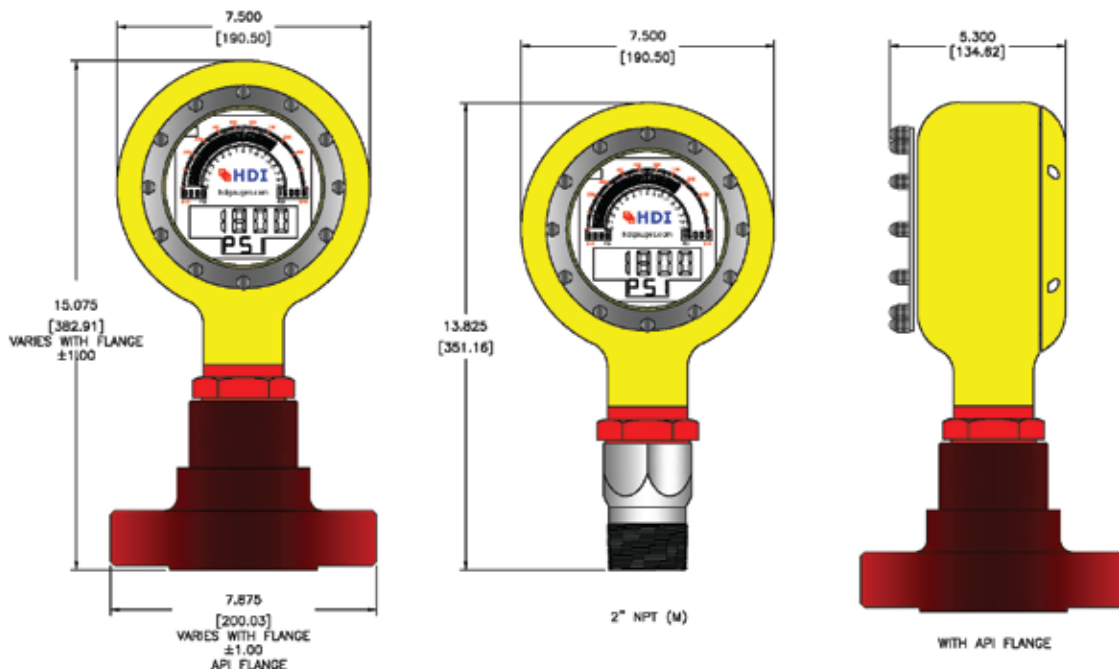
- Certificate of Compliance and Calibration Certification

Model 2000P

- CSA: Intrinsically Safe Class 1, Division 1, Groups A, B, C, and D
- ATEX
- IECEx: optional, II 1 G, Ex ia IIC T4
- Certificate of Compliance and Calibration Certification



DIMENSIONS



Models 1021 and 2021 Loop Powered Pressure Transmitters

Specifications

- Pressure Range: Up to 30K PSI
- Rig Powered Instrumentation



SENSOR CONNECTION OPTIONS



2" 1502 Hammer Union
2" 1502 H2S Hammer Union



9/16" Autoclave Sensor
Compatible with
HDI Autoclave Flanges Only



2" 2202 H2S Hammer Union

AUTOCLAVE FLANGES



Specify Pressure Rating and Size

Pressure Rating: 5M – 10M – 15M
Size: 1 13/16" – 2 1/16"

CROSS OVER FLANGES / WYE ADAPTERS



Cross Over Flange

Wye Adapter

For Cross Over Flange: Specify Pressure Rating, Size, and Connection Type

For Wye Adapter: 1502 only

CABLE

Cable is purchased in 5' increments.

- 4-20mA Output Cable: Distance from 2021 Pressure Transmitter to Local J-Box Termination

CERTIFICATIONS

Model 1021

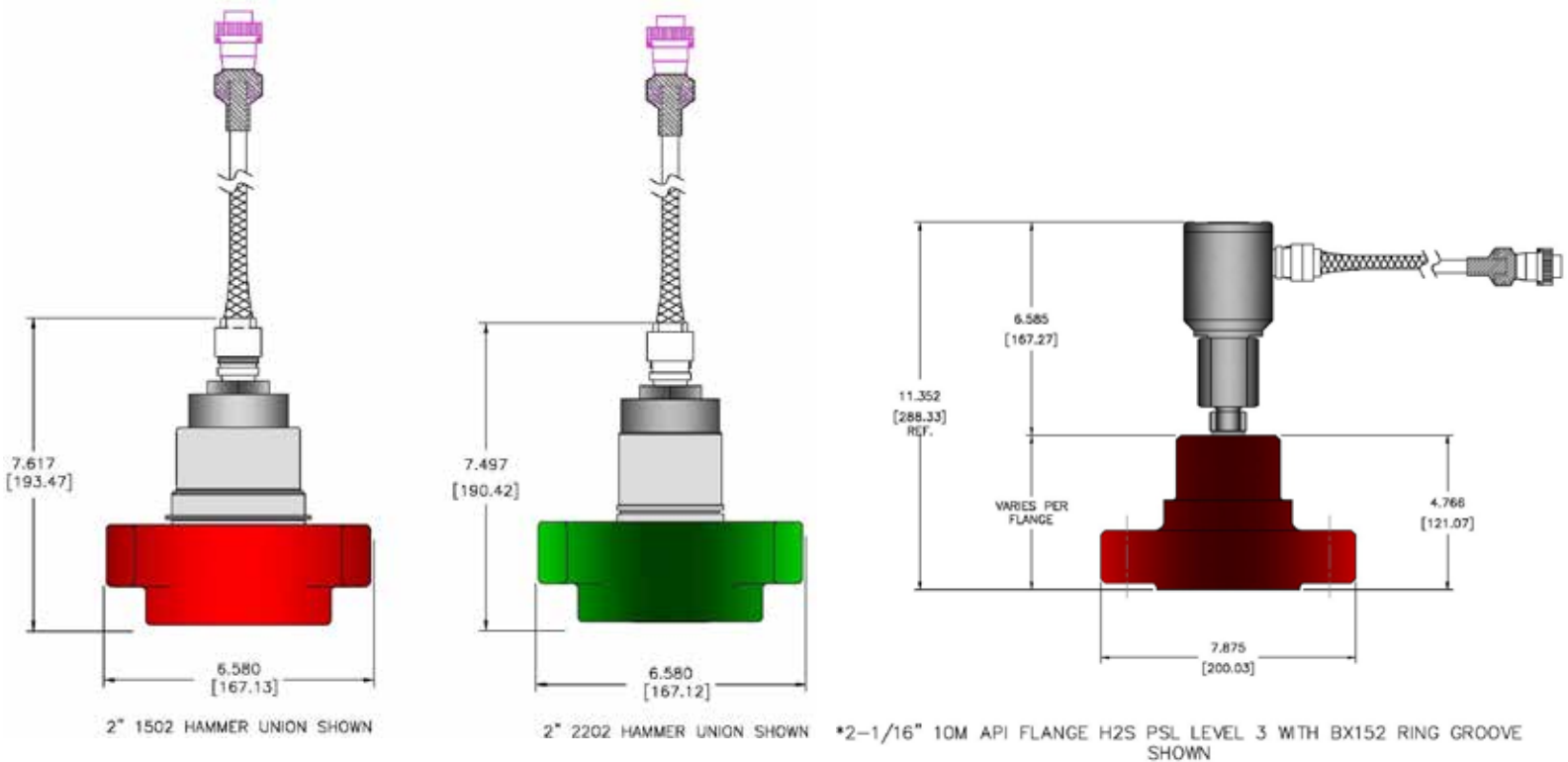
- Certificate of Compliance and Calibration Certificate

Model 2021

- CSA: Intrinsically Safe Class 1, Division 1, Groups A, B, C, and D
- ATEX: Optional, II
- Certificate of Compliance and Calibration Certificate



DIMENSIONS



Models 1100 and 2100 Pump Stroke Counters

Specifications

- Rig Powered Instrumentation



FEATURES

Specify Pressure Rating and Size

- 1 to 4 Pumps

SENSOR CONNECTION OPTIONS



Proximity



Micro-Switch

CABLE

Cable is purchased in 5' increments. Two cable lengths are required:

- Main Cable: Distance from 1100 / 2100 Gauge Display to Junction Box / Y-Split
- Leg Cable: Distance from Junction Box / Y-split to Pumps

CERTIFICATIONS

Model 1100

- Certificate of Compliance and Calibration Certificate

Model 2100

- CSA: Intrinsically Safe Class 1, Division 1, Groups A, B, C, and D
- ATEX: optional, II 1 G, Ex ia IIC T4
- Certificate of Compliance and Calibration Certificate



Models 1522 and 2522 Choke Position Indicators

Specifications

- Battery Powered Instrumentation



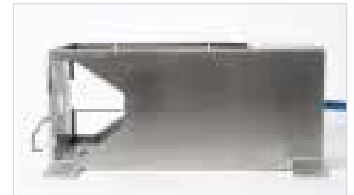
SENSOR CONNECTION OPTIONS



Linear Potentiometer



Rotary (M3D) Potentiometer
Rotary (Swaco) Potentiometer



Retractable Potentiometer

CONFIGURATION OPTIONS

- Stand Alone
- 4-20mA Output
- Slave Output

CABLE

Cable is purchased in 5' increments.

- Inline Cable: Distance from Sensor to 1522 / 2522 Gauge Display
- 4-20mA Output Cable: Distance from 1522 / 2522 Gauge Display to Local J-Box Termination
- Slave Output in between Master and Slave Displays

CERTIFICATION

Model 1522

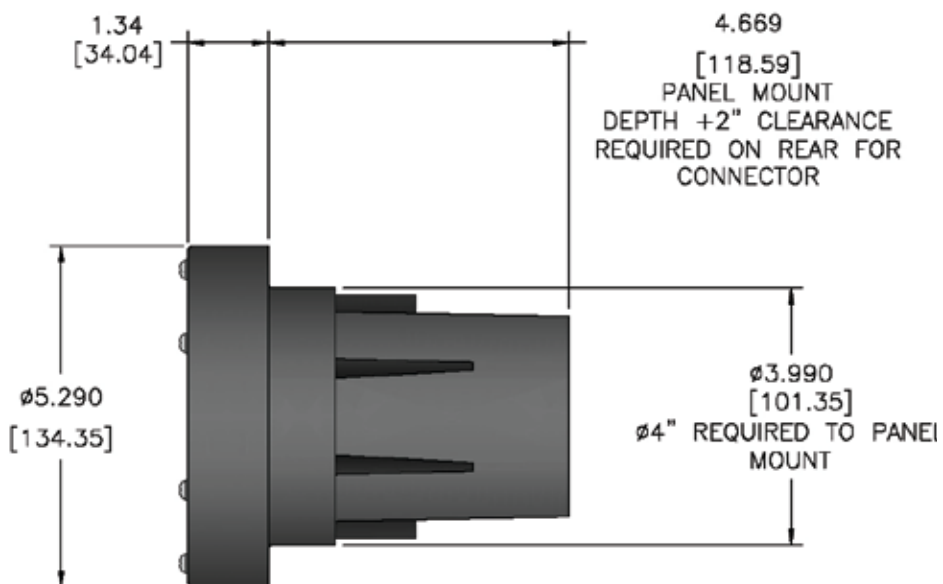
- Certificate of Compliance and Calibration Certificate

Model 2522

- ATEX
- IECEx: optional, II 1 G, Ex ia IIC T4
- Certificate of Compliance and Calibration Certificate



DIMENSIONS



Model 2200 Choke Position Indicators

Specifications

- Battery Powered Instrumentation



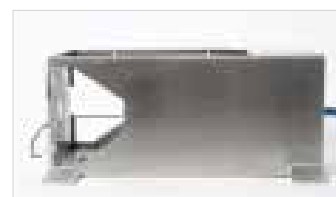
SENSOR CONNECTION OPTIONS



Linear Potentiometer



Rotary (M3D) Potentiometer
Rotary (Swaco) Potentiometer



Retractable Potentiometer

CABLE

Cable is purchased in 5' increments.

- Inline Cable: Distance from Sensor to 2200 Gauge Display

CERTIFICATIONS

Cable is purchased in 5' increments.

- CSA: Intrinsically Safe Class I, Division 1, Groups A, B, C, and D
- ATEX: Optional, II 1 G, Ex ia IIC T4
- Certificate of Compliance and Calibration Certificate



Model 3300 Temperature Gauges

Specifications

- Battery Powered Instrumentation



SENSOR CONNECTION OPTIONS



2" 1502 Hammer Union
2" 1502 H2S Hammer Union



1" NPT



2" 2202 H2S Hammer Union

CONFIGURATION OPTIONS

- Stand Alone
- 4-20mA Output
- Slave Output

CABLE

Cable is purchased in 5' increments.

- Inline Cable: Distance from Sensor to 3300 Gauge Display
- 4-20mA Output Cable: Distance from 3300 Gauge Display to Local J-Box Termination
- Slave Output in between Master and Slave Displays

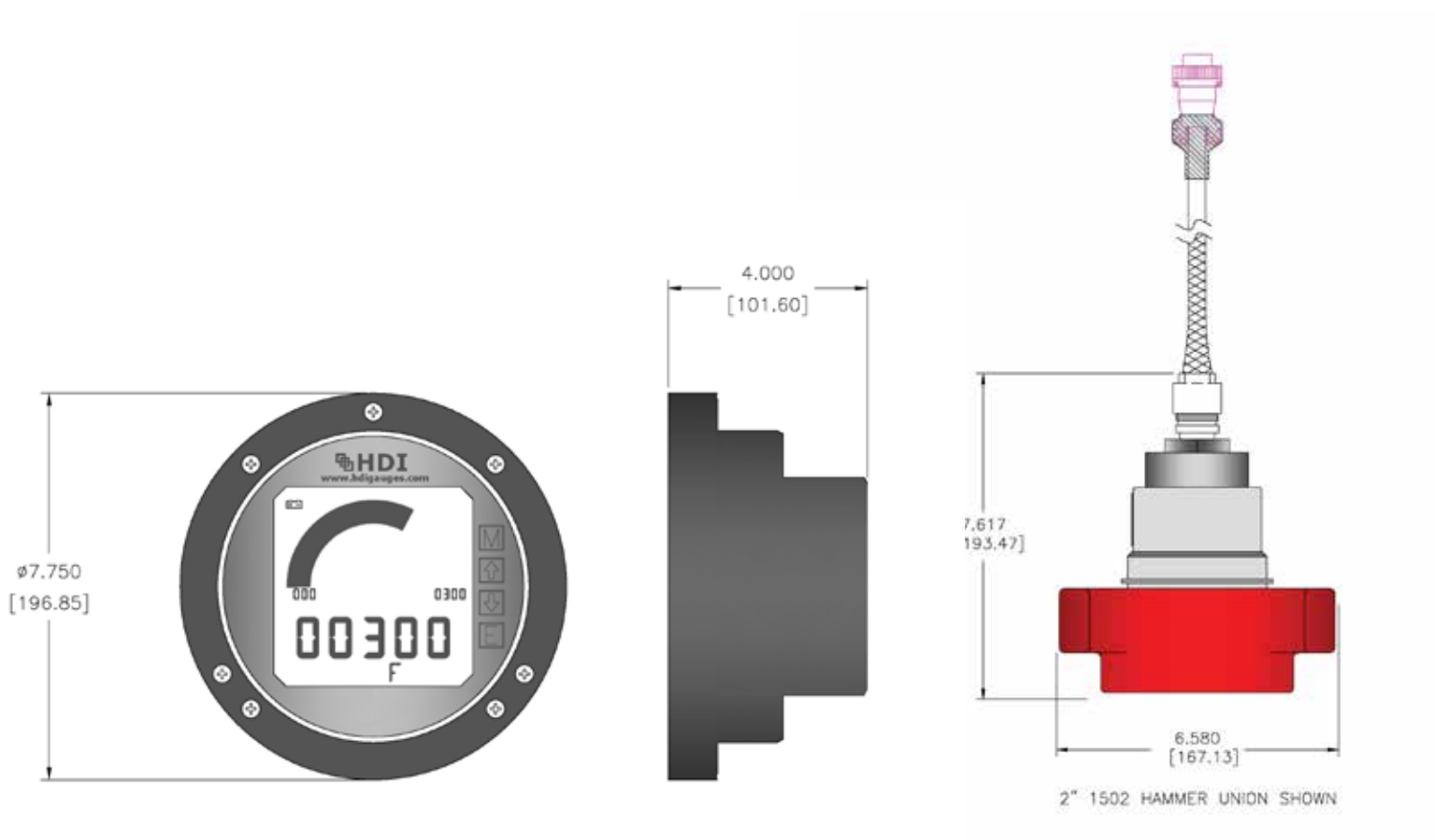


CERTIFICATIONS

- ATEX
- CSA
- Certificate of Compliance and Calibration Certificate



DIMENSIONS



Model 3200 Mud Gas Differential Monitoring Systems



SENSOR CONNECTION OPTIONS



2" 1502 Hammer Union
2" 1502 H2S Hammer Union



1" NPT



2" 2202 H2S Hammer Union

CABLE

Cable is purchased in 5' increments.

- Inline Cable: Distance from Sensor to the 3200 Mud Gas Differential Monitoring System.
- 4-20mA Output Cable: Distance from 3200 Mud Gas Differential Monitoring System to Local J-Box Termination.
- Slave Output in between Master and Slave Displays.

CERTIFICATIONS

- ATEX
- IECEx
- Certificate of Compliance and Calibration Certificate



Model 9000 Choke Console Series

Specifications

- Built in accordance with API 16C

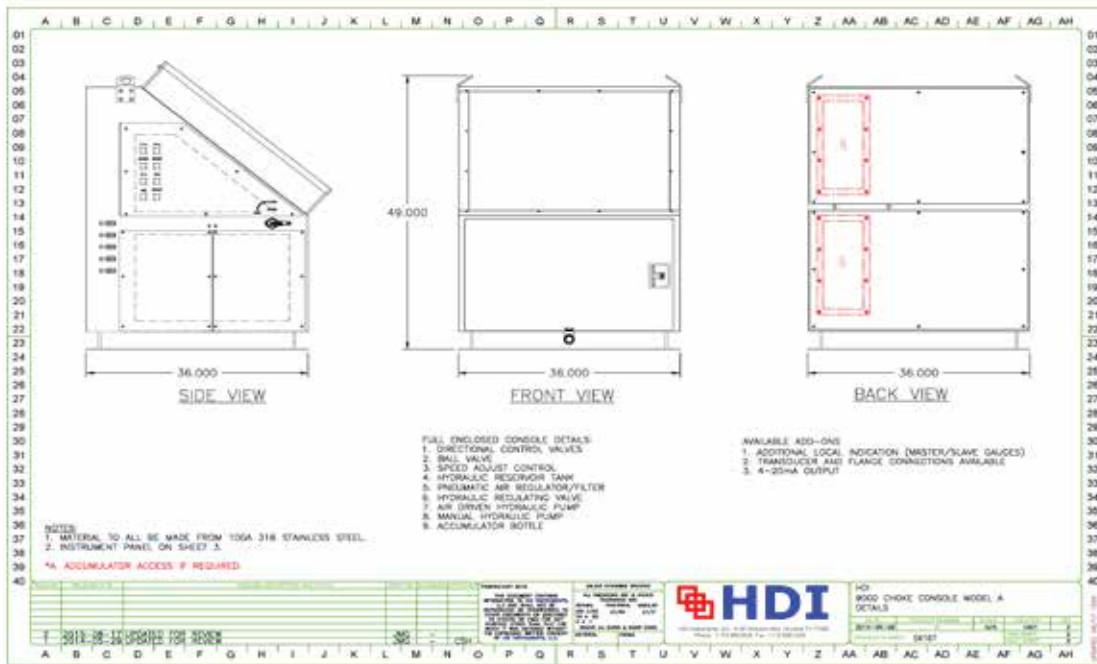
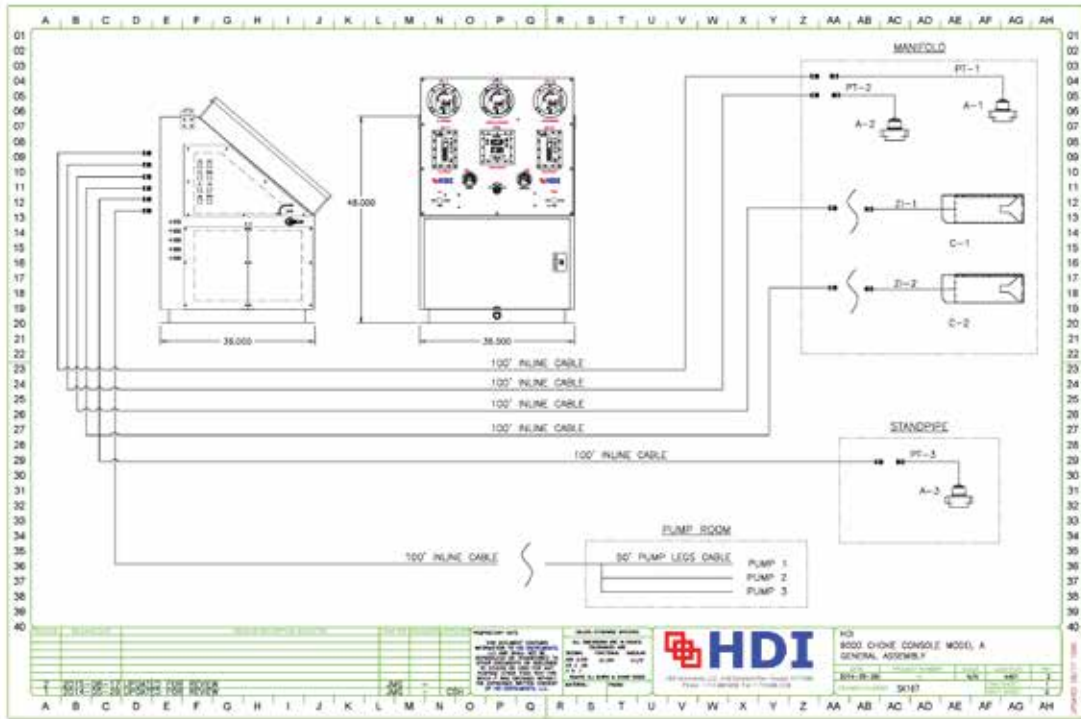


FEATURES

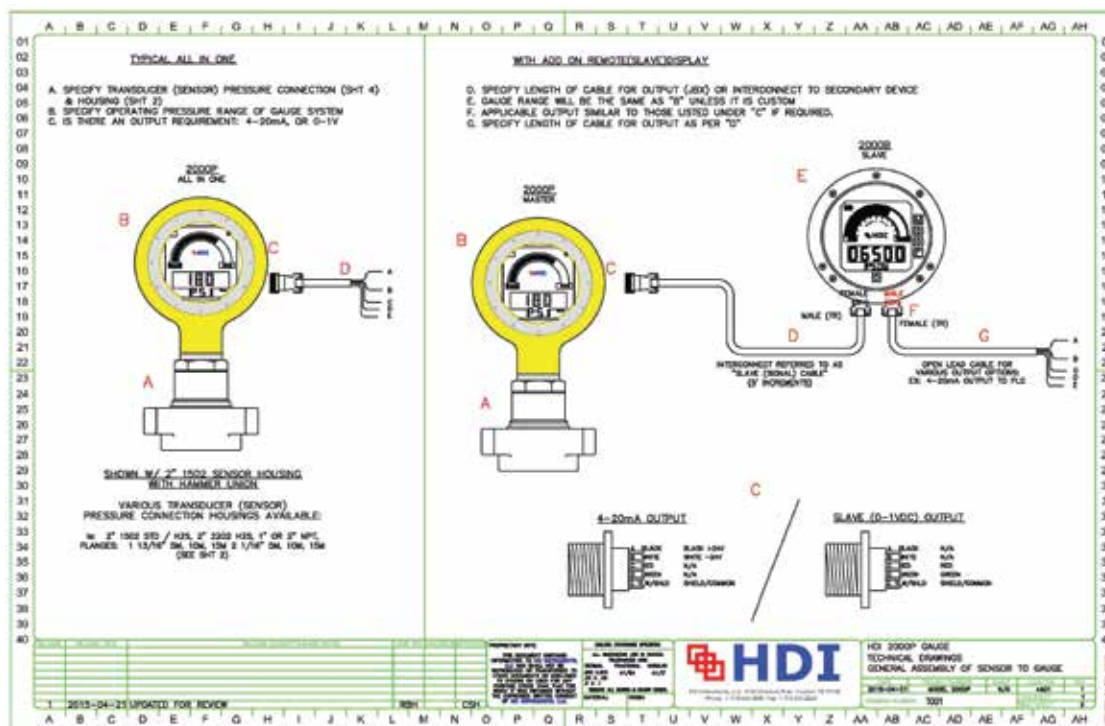
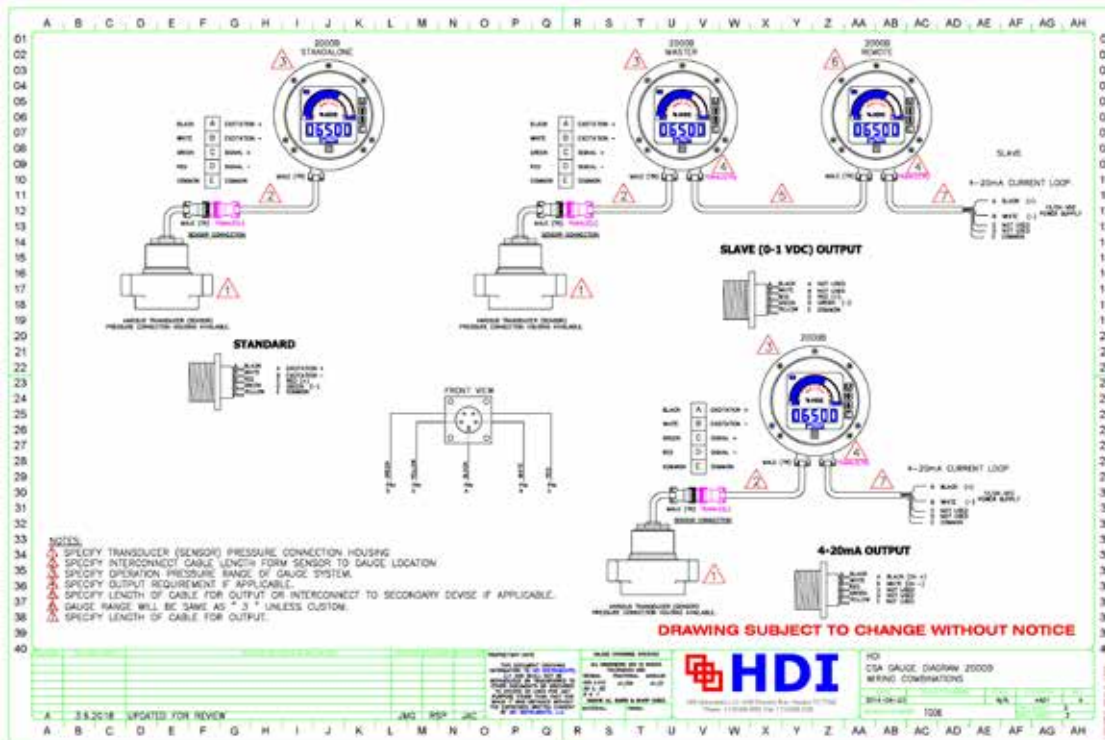
- Single Choke Console
- Dual Choke Console
- Open Frame Concept
 - *Mild Steel Painted Frame
- Fully Enclosed Frame Concept
 - *316 L Stainless Steel
- Various Types of Chokes
- Accumulator (optional)

**Contact HDI Sales for further information
on how we can customize to your specifications.**

PRODUCT DIAGRAMS



PRODUCT DIAGRAMS





SERVICE & SUPPORT



Our core values are based on Accuracy, Reliability, and Customer Satisfaction.

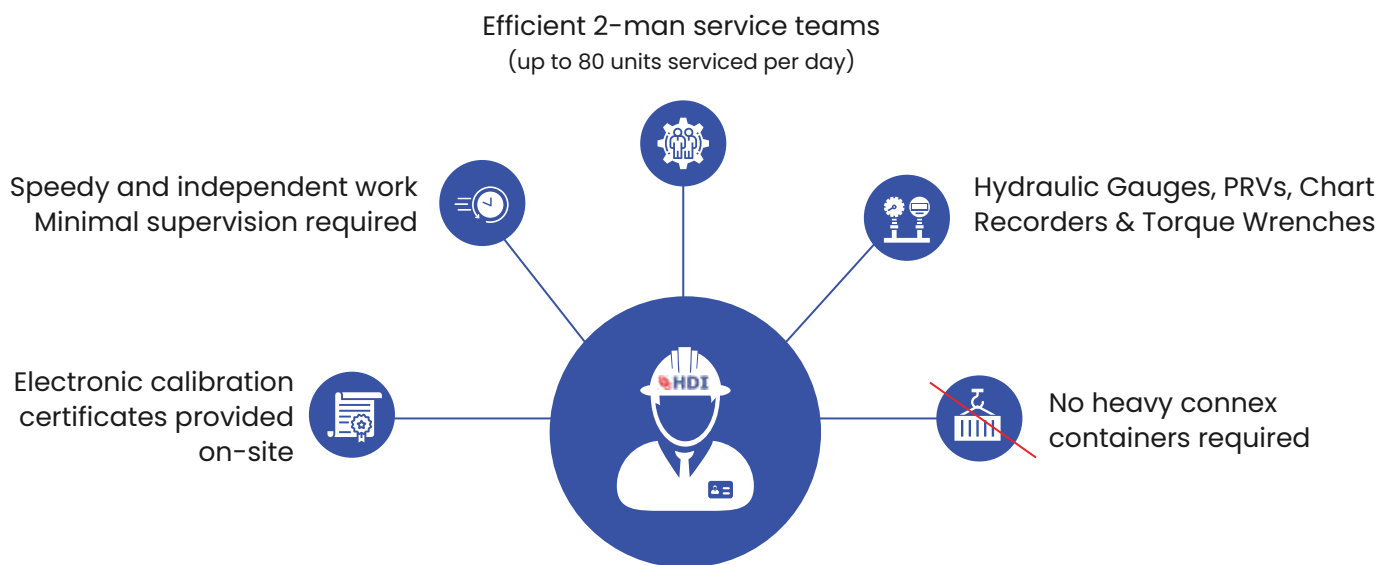
100% A R C Since 1991
Accuracy • Reliability • Customer Satisfaction

Annual Preventative Maintenance (APM) Onsite Calibration Service

The HDI Service Department acknowledges the demand for fast-acting, competent and reliable service personnel to perform recommended Annual Preventative Maintenance on ALL instrumentation on board operational rigs.

In short, the goal of HDI's Service Department's is to be your one-stop shop for rig-wide instrument recalibration.

In addition to onsite calibration, HDI Service Department can assist the rigs with in-house recalibration services at our Houston Headquarters office.



**Enabling service cost savings
with HDI's Accuracy, Reliability, & Customer Satisfaction**

What our customers have said

"HDI has an exceptional knowledge of their job and offered good solutions to our future needs. HDI went above and beyond to provide technicians to us on short notice."

"HDI stays on top of our calibration schedule and is always available to assist us when needed"

"I want your team to know that HDI performed an outstanding job while on the rig. He's a hard worker and stayed busy all day. Very independent, worked safely and well with the team."



Annual Preventative Maintenance (APM) Calibration -Onsite Service-

Equipment serviced:

- ALL HDI Instruments
- ALL Hydraulic / Analog gauges
- Pressure Relief Valves (Hydraulic and Pneumatic)
- Chart Recorders
- Torque Wrenches
- Electrical Equipment: Clamp Meters, High Voltage Devices, Digital Handheld Meters
- Dimensional Equipment: ALL Micrometers, Calipers



HDI Onsite Service RFQ Form
www.hdigauges.com/servicrfq

For a Service RFQ Form or detailed proposal contact:
HDI Service Department | 713-688-8555 | service@hdigauges.com

Houston Digital Instruments, LLC

7240 Brittmoore Road | Suite #119 | Houston, Texas 77041

Main: +1 (713) 688-8555 | Fax: +1 (713) 688-2228

ISO 9001:2015 Certified | ISNetworld No. 400-235772 | Ariba Network ID AN01451371212





ANNUAL PREVENTATIVE MAINTENANCE (APM) CALIBRATION - IN-HOUSE SERVICE -

Simplified RMA Process:

- Online RMA Form
<https://hdigauges.com/service/repairs/>
Note: Include HDI serial numbers (if applicable)
- Sender and HDI will receive email with RMA Number
- Ship the equipment to HDI
- HDI will provide final repair quote after in-house inspection
- HDI will ship the equipment back with calibration sheet



HDI In-House Repair RMA FORM
www.hdigauges.com/service/repairs

For a detailed proposal please contact:
HDI Service Department | 713-688-8555 | service@hdigauges.com

Houston Digital Instruments, LLC
7240 Brittmoore Road | Suite #119 | Houston, Texas 77041
Main: +1 (713) 688-8555 | Fax: +1 (713) 688-2228

ISO 9001:2015 Certified | ISNetworld No. 400-235772 | Ariba Network ID AN01451371212





HDI's Global Headquarters is in Houston, Texas; however, HDI products are used by clients worldwide. The need for local sales, repair, and support for our clients is critical. Since 2014, we have expanded our reach by establishing Authorized Agents in key regions around the world.

These Authorized Agents will offer sales support and provide calibration and basic repair services at their facilities to HDI clients in their region. The Agents have been trained by HDI Technicians to properly replace batteries, troubleshoot, fix, and calibrate HDI Systems.

HDI continues to look for new, competent, qualified Authorized Agents to actively sell and support HDI products within their region.

For additional information, contact HDI's EVP of Business Development, Sales and Service

Hunt Hodge
713-688-8555
hunt@hdigauges.com



ISO 9001:2015 Certified | ISNetworld No. 400-235772 | Ariba Network ID AN01451371212





DOMESTIC & INTERNATIONAL AUTHORIZED SALES & SERVICE AGENTS



Dicks Oilfield Instrument Sales & Service Inc.

3110 N FM 1936 | Odessa, TX 79764

Contact: Brian Hitchcock

Office: (432) 381-6565

24 Hour Service Toll Free: (877) 381-6565

Email: doisales@aol.com



[www. https://dicksoilfield.com](https://dicksoilfield.com)

Al Mazroui Trading and General Services L.L.C

P.O. Box 97, Al Yasat Tower | Suite No.801, 801 Najda Street
Abu Dhabi, U.A.E

Contact: Amphy Guerrero

Office: +971 2 6720730

Email: amphy@mtgsofd.ae



www.mtgsofd.ae

Monitor Systems Scotland Limited

3 Merkland Road East | Aberdeen: AB24 5PS
Scotland, United Kingdom

Contact: Brian Sinclair

Office: +44 (0) 1224 621 073

Mobile: +44 (0) 7713 620 608

Email: sales@monitor-systems.co.uk



Monitor Systems
Scotland Limited

www.monitor-systems-engineering.com

Adghal Oilfield Supplies LLC

Al Qusais Industrial Area No: 1 | P.O. Box 62738
Dubai, U.A.E

Contact: Mohammed Shafee

Office: +971 4 2679402

Mobile: +971 50 6996627

Email: adghal@eim.ae



www.adghaloilfield.com

ISO 9001:2015 Certified | ISNetworld No. 400-235772 | Ariba Network ID AN01451371212



www.hdigauges.com | 7240 Brittmoore Rd. Suite #119, Houston, Texas 77041 | +1 (713) 688-8555



SALES & SERVICE

Chris Colotta
Inside Sales Manager

info@hdigauges.com
Office: 713-688-8555

Brian Harrington
International / Offshore
Senior Project Manager

brian@hdigauges.com
Mobile: 512-563-7604

Don Hill
Western Hemisphere Land
NSA Sales Manager

don@hdigauges.com
Mobile: 580-399-6235

Joseph Ebenezer
Director of Service

joseph@hdigauges.com
Mobile: 713-446-2212

Joe Colotta
Director of Manufacturing

joe@hdigauges.com
Mobile: : 713-819-6103

Hunt Hodge
EVP
Business Development, Sales & Service

hunt@hdigauges.com
Office: 713-688-8555 x232

Sales: info@hdigauges.com

Service: service@hdigauges.com

www.hdigauges.com

Houston Digital Instruments, LLC

7240 Brittmoore Road | Suite #119 | Houston, Texas 77041

Main: +1 (713) 688-8555 | Fax: +1 (713) 688-2228

ISO 9001:2015 Certified | ISNetworld No. 400-235772 | Ariba Network ID AN01451371212

